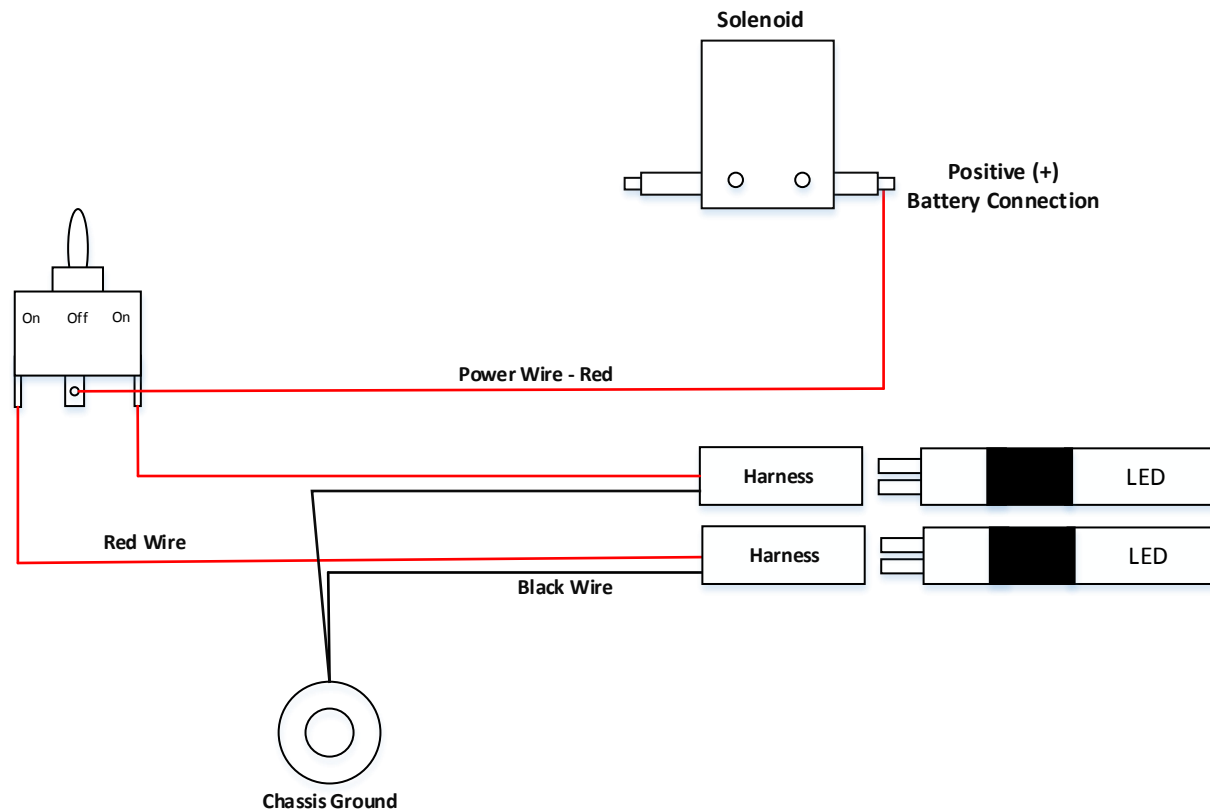


Dirt Late Model Undercar LED Kit

Deluxe Kit w/ 3-way Toggle



Instructions

1. Secure LED strips to chassis
2. Connect power wire to the center toggle switch post.
3. Connect red wire from harness 1 to post one of the "On" posts. Connect red wire from harness 2 to other "On" post.
4. Install switch.
5. Connect black wires from harnesses to chassis or battery ground.
6. Connect power wire from switch to positive post of solenoid or other battery connect.
7. Plug harnesses into LED strip.

Off-Road Use ONLY

This product is for off-road use only. All modifications or installations are at the customer's own risk. LED Foot Products hold no responsibility either implied or otherwise for mechanical, electrical or other failure when using aftermarket products. Items sold for off-road use only are illegal in many states and provinces and are intended for racing vehicles which may never be used on a public road.

Warning

Installation of any component or kit should only be performed by persons experienced in the installation and proper operating of vehicle systems. It is also the responsibility of the person installing any component or kit to determine suitability and fitness of the components or kit for that particular application. The manufacturer is not responsible for any misuse.